



LED COLOUR

- 27 2700K
- 30 3000K
- 40 4000K

BEAM ANGLE

- 15 15°
- 24 24°
- 36 36°
- 60 60°

FINISH

- W White
- B Black

ANTI-GLARE

- W White
- B Black
- G Gold

Product Code

TUBE 10S/ 10 / / / /

10W	Colour Temp (K)	2700	3000	4000
	Luminous Flux @ 24° (lm)	740	770	850

APPLICATIONS

The flicker free dimmable light with bespoke heatsink housing ensures a professional look that also offers high visual comfort making it ideal for use in residential or commercial properties.

DESCRIPTION

The Tube features an organised connecting system, high performance LED chip, CRI 90, a polycarbonate optic, a choice of beam angle and a tick-lock arm allowing ultimate precision control.

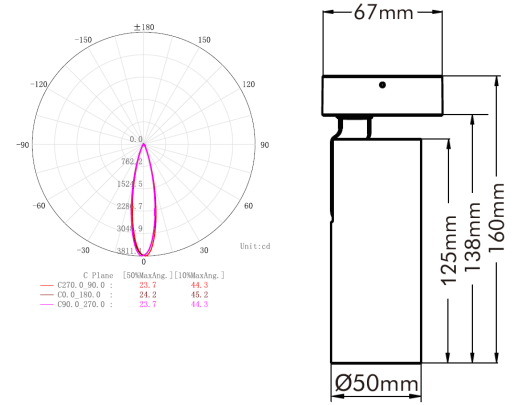
Standard white or black finish and the option of a white, black or gold anti-glare bezel. The flicker-free driver creates a healthy lighting environment free from visual fatigue for all commercial occasions. High efficiency and low power consumption makes Optaled products environmentally friendly, helping significantly with carbon reduction programmes.

FEATURES

- IP20
- CRI90
- Surface mounted
- Flicker free
- Friction track arm
- Dimmable
- Interchangeable optics without tools
- No UV or IR emissions
- LED lifetime 50,000 hours

NOTE

It is important that you check the compatibility of the dimmable units with the lighting controls supplier before placing your order.



Parameter	Specification		
Light Source	Bridgelux LED		
Power Consumption (W)	10		
Operating Voltage (V)	AC200-240V 50/60Hz		
Colour Temperature (K)	2700	3000	4000
Luminous Flux @ 24° (lm)	740	770	850
Finish	Black, White		
Anti-Glare	Black, White, Gold		
Mounting Type	Surface		
CRI (Ra)	90		
Lifetime (Hrs)	50000		
Dimensions (mm)	125 x 50 x 160		
Ingress Protection (IP)	20		
Operating Temperature (°C)	-25°C ~ 50°C		
Driver Options	Mains Dimmable, DALI		

