



LED COLOUR

- 27 2700K
- 40 4000K
- TW TW
- RGBW RGBW

LENGTH

- 1 1 Metre
- 2 2 Metre
- 3 3 Metre
- 4 4 Metre
- 5 5 Metre



10W	Colour Temp (K)	2700	4000
	Luminous Flux (lm/m)	757	800

Product Code
NEONFLEX KT/10 / /

APPLICATIONS

Neonflex is a soft silicon LED linear, featuring IP67, anti-yellowing and heat-resisting silicon glue. It is UV and salt-water resistant with a polyurethane coating, making it an ideal solution for residential or commercial properties needing straight or shaped illumination.

DESCRIPTION

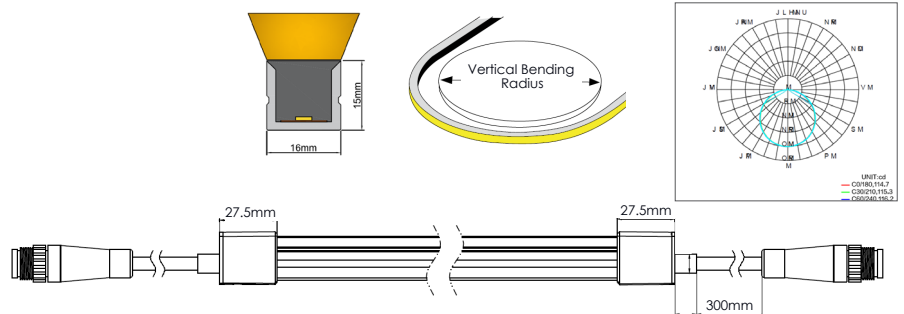
The Neonflex Kit features a vertical bending radius of 120mm and a cross-section size of 16mm x 15mm. The IP67 flexible design can be cut and reconnected on-site providing custom applications. The Neonflex Kit has a choice of front, side or bottom connector cables and multiple accessory options.

FEATURES

- IP67
- CRI80
- Cut and reconnect on-site
- 120 mm vertical bending radius
- 2700K, 4000K, TW, RGBW
- Cable connector options
- Colour consistency
- No yellowing or breaking
- Dust-free
- Salt-water and solvent resistant
- Excellent flexibility
- 3 Step MacAdam
- UV protected
- LED lifetime 50,000 hours

NOTE

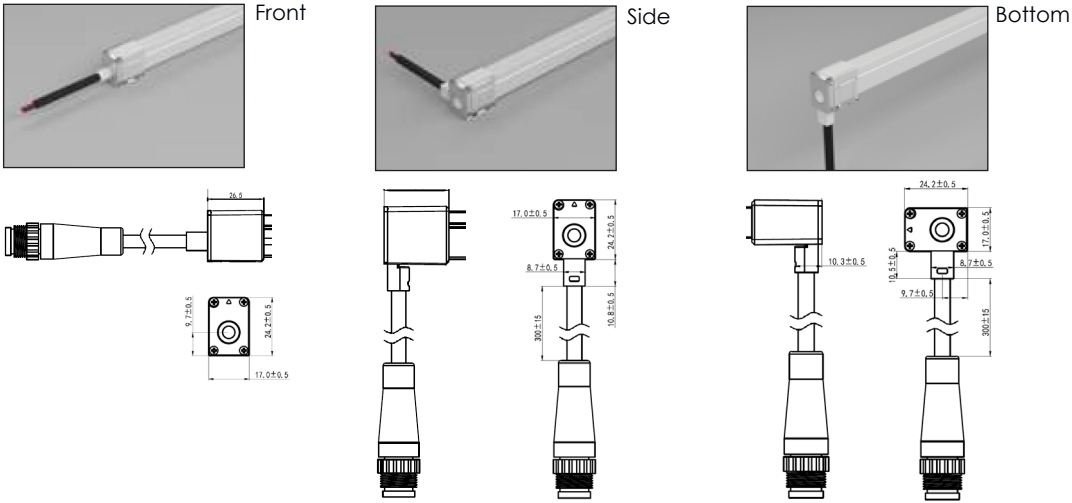
It is important that you check the compatibility of the dimmable units with the lighting controls supplier before placing your order.



Parameter	Specification		
Light Source	3014		
Max. Run Length (m)	5		
Power Consumption (W/m)	10		
Operating Voltage (V)	DC24V (23.5V Min, 24.5V Max)		
LED Quantity 2700K/4000K (m)	120		
LED Quantity TW (m)	240		
LED Quantity RGBW (m)	120		
Colour Temperature (K)	2700	4000	
Luminous Flux (lm/m)	757	800	
Tunable White (K)	WW	W	WW+W
Luminous Flux (lm/m)	237	330	555
RGBW (K)	RGBW		
Luminous Flux (lm/m)	374		
Efficacy (lm/W)	80 @ 4000K		
Dimensions (mm)	W 16 x H 15		
Connector Dimensions (mm)	300		
Cut Length 27/4K (mm)	50		
Cut Length TW (mm)	25		
Cut Length RGBW (mm)	62.5		
CRI (Ra)	80		
Lifetime (Hrs)	50000		
Ingress Protection (IP)	67		
Ambient Temperature (°C)	-25°C ~ 45°C		
Max. LED Pin Temperature (°C)	65°C		
Storage Temperature (°C)	-25°C ~ 60°C		
Driver Options	Fixed Output, Mains Dimmable, DALI		



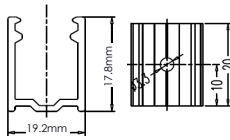
CABLE CONNECTOR ENTRY



ACCESSORIES



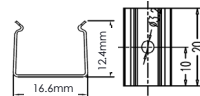
Aluminium Profile
L 1000 mm
W 19.2mm
H 17.8 mm
Silver aluminium



2 Pin Connector
L 300 mm
Wire gauge 0.519mm²
IP67



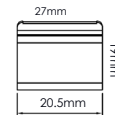
Mounting Clips
L 20 mm
W 16.6 mm
H 12.4 mm
Stainless steel
2 x clips and screws



3 Pin Connector
Tunable white
L 300 mm
Wire gauge 0.519mm²
IP67



Closed end cap
L 27 mm
W 20.5 mm
H 19 mm
Stainless steel



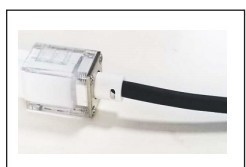
4 Pin Connector
RGB
L 300 mm
Wire gauge 0.519mm²
IP67



End Cap 2 or 3 Pin
L 27 mm
W 20.5mm
H 19 mm
Transparent
Front, side or bottom



5 Pin Connector
RGBW
L 300 mm
Wire gauge 0.519mm²
IP67



End Cap 4 or 5 Pin
L 27 mm
W 20.5mm
H 19 mm
Transparent
Front, side or bottom