



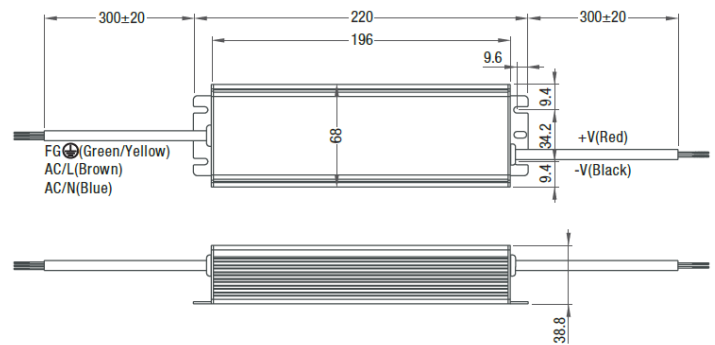
Product Code	Output Type	Output Voltage	Rated Power	No. Channels	Dimming	IP Rating
AQDR/CV/24/120/1	Constant Voltage	24 V DC	120 W	1	1-10 V DC	IP67

FEATURES

- Fully encapsulated to IP67 rating
- Constant voltage design
- Universal AC input / full range 90-305V AC
- High efficiency up to 93%
- Protections include short circuit, over current, over voltage, and over temperature
- Built-in active PFC function
- Cooling by free air convection
- Built-in 3-in-1 dimming function (1-10V DC or PWM signal or resistance)
- Suitable for LED lighting and moving sign applications
- Compliance to worldwide safety regulations for lighting
- Suitable for dry/damp/wet locations

SAFETY GUIDANCE

- Only to be installed by a qualified electrician.
- Installation must be carried out in accordance with local regulations.
- Turn off mains power to the driver during installation and any subsequent disconnecting / reconnecting at the fitting.
- Use correct polarity when wiring.
- Do not cover the luminaire or driver with thermal insulation or vapour barrier.



Parameter	Specification
Output DC Voltage (V)	24
Rated Current (A)	5
Output Rated Power (W)	120
Input Voltage Range (V)	AC 90-305V 47/63Hz
Efficiency (Typ.) (%)	90%
Working Temperature (°C)	-40 ~ +70
Working Humidity (%)	20-95% RH non-condensing
Protection: Over Current	95-108%. Protection Type: Constant current limiting, recovers automatically after fault condition is removed.
Protection: Short Circuit	Protection Type: Constant current limiting, recovers automatically after fault condition is removed.
Protection: Over Voltage	28-34V. Protection Type: Shut down o/p voltage, re-power on to recover.
Protection: Over Temperature	Shut down o/p voltage, recovers automatically after temperature goes down.
Safety Standards	UL8750, CSA C22.2 No. 250.0-08, ENEC, TUV EN61347-1, EN61347-2-13 Independent IP67, J61347-1, J61347-2-13 Approved
EMC Emission Compliance	EN55015, EN55022 (CISPR22) Class B, EN61000-3-2 Class C (≥50% Load); EN61000-3-3
EMC Immunity Compliance	EN61000-4-2/3/4/5/6/8/11, EN61547, EN55024, Light Industry Level (Surge 4kV), Criteria A