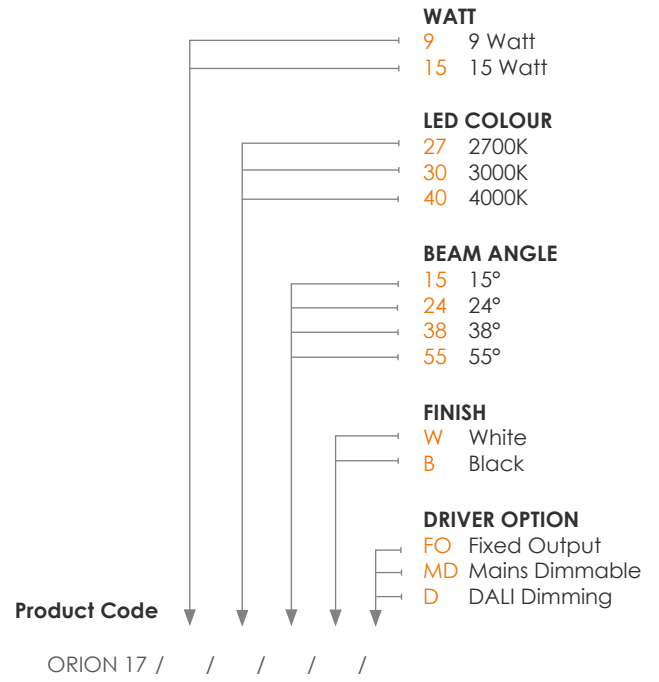




9W	Colour Temp (K)	2700	3000	4000
	Luminous Flux @ 24° (lm)	741	777	804
15W	Colour Temp (K)	2700	3000	4000
	Luminous Flux @ 24° (lm)	1271	1296	1346



APPLICATIONS

The Orion range from Optaled uses the latest in Global Optical Control enabling 26% more light output. The CRI90 light engine offers the best in artificial lighting for any environment. The Orion design makes it ideal for use in hotels, retail, public buildings, office and residential.

DESCRIPTION

The easy fit design has drop retaining legs for extra flexibility and a twist lock release from the LED engine that makes secondary fixing easy if required.

Created from die cast aluminum for maximum heat dissipation and good air convection.

High efficiency and low power consumption makes it environmentally friendly, helping significantly with carbon reduction programmes.

FEATURES

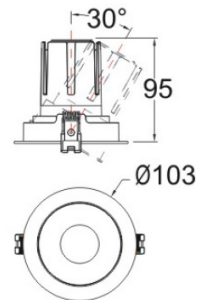
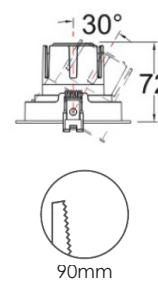
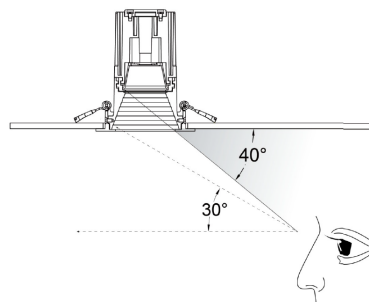
- IP20
- CRI90
- Anti-glare
- No UV or IR emissions
- LED lifetime 50,000 hours

NOTE

It is important that you check the compatibility of the dimmable units with the lighting controls supplier before placing your order.

9W Dimensions

15W Dimensions



Parameter	Specification		
Light Source	Bridgelux		
Power Consumption (W)	9 / 15		
LED Current (mA)	200 / 350		
9W Colour Temperature (K)	2700	3000	4000
9W Luminous Flux @ 24° (lm)	741	777	804
15W Colour Temperature (K)	2700	3000	4000
15W Luminous Flux @ 24° (lm)	1271	1296	1346
Finish	Black, White		
Mounting Type	Recessed Adjustable		
CRI (Ra)	90		
Lifetime (Hrs)	50000		
9W Dimensions (mm)	72 x 103		
15W Dimensions (mm)	108 x 88		
Cut Out (mm)	90		
Ingress Protection (IP)	20		
Operating Temperature (°C)	-25°C ~ 50°C		
Driver Options	Fixed Output, Mains Dimmable, DALI		

